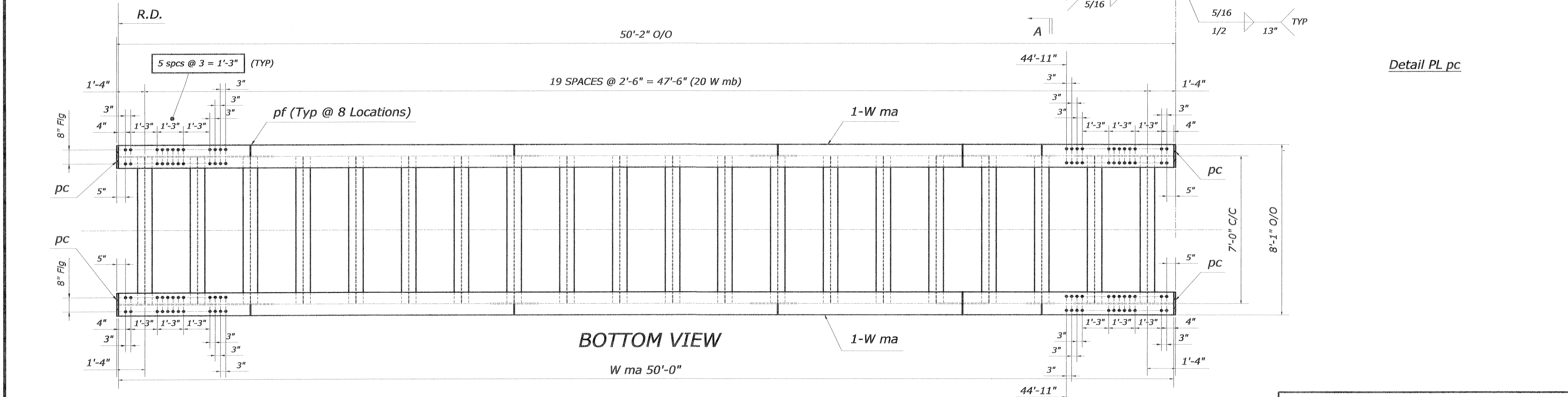
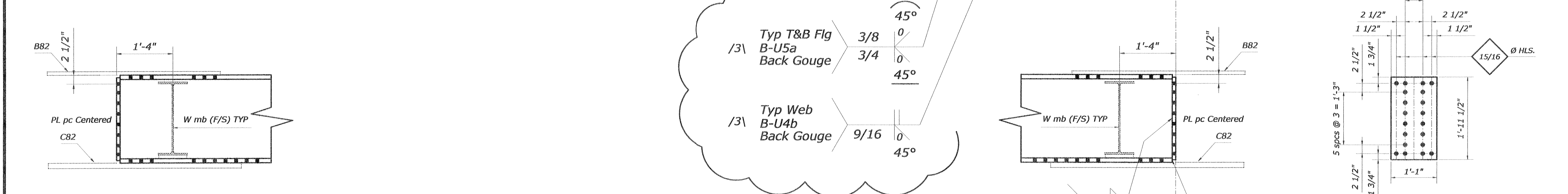
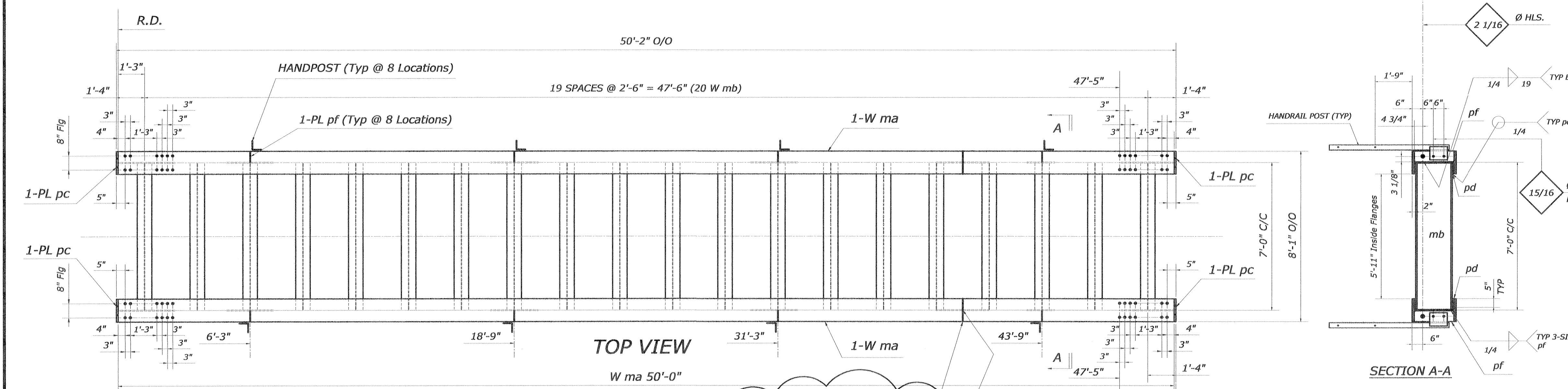
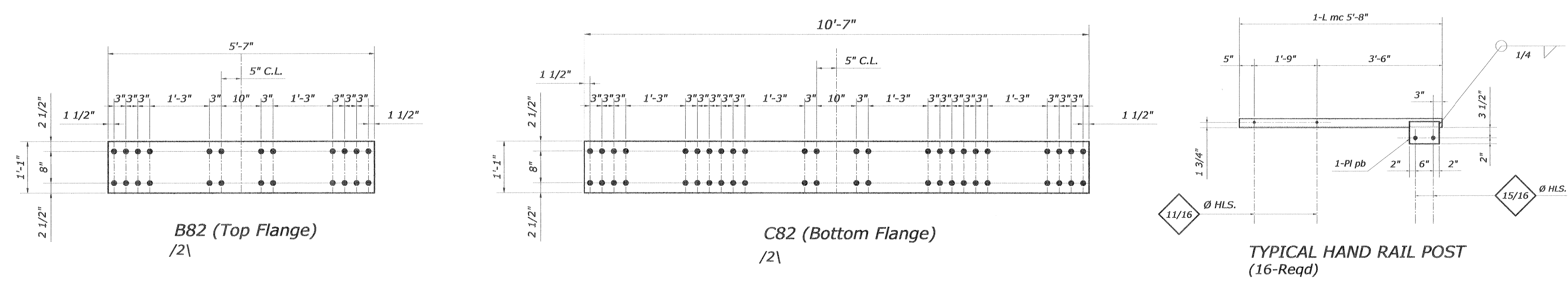


BILL OF MATERIAL				ALL CATEGORY NO.	U/N	MATERIAL SPEC.	CONTRACT DRAWING		
NO. OF PCS	MARK	SIZE	SHAPE	WT. LB/FT	LENGTH FEET	WT LB	ADV BILL ITEM NO.	BLOCK QTY/BLK	REMARKS
2 A82 Crane Mats									
4	ma	25 x 13 x $\frac{11}{16}$	W	162	50	0			
40	mb	$20\frac{3}{4}$ x $8\frac{1}{4}$ x $\frac{3}{8}$	W	55	6	11 1/4			
16	mc	3 x 3 x $\frac{3}{8}$	L	5	8				or Sub L 4x4x5/16
16	pb	7 1/2 x 5/8	PL		10				
8	pc	13 x 1	PL	1	11 1/2				
80	pd	5 x 1	PL		8				
16	pf	6 1/8 x 3/4	PL	1	10 1/2				C2C 1x1
2	B82	13 x 1	PL	5	7				
2	C82	13 x 1 1/2	PL	10	7				

WT OF PAINT & / OR GALVANIZING		TOTAL WEIGHT (NOT INCLUDING FIELD BOLTS)		WT/ LB	FOR CALCULATOR USE
FIELD BOLT SUMMARY (INCH)					
QTY	Ø & TYPE	LGTH.			
48	1 1/8" Ø A490SC	4"			
96	1 1/8" Ø A490SC	4 1/2"			
32	7/8" Ø A325	2 3/4"			
TOTAL FIELD BOLT WT / LB					
HOLES: 1 3/16 Ø U/N					
SHOP PAINT:					
BILL NO: 82a					
NOTES:					
/3\	10-SEP-01	Splice Added			
/2\	21-FEB-01	Flange Hole Pattern Revd.			
/1\	13-FEB-01	Hand Rail ADDED			
Δ	DATE	REVISION	X	NO	



A82 CRANE MAT A1 Type (2 Reqd.)

NOTE : Use splice Plts B82 & C82 as Template to Drill flange Holes

DCM ERECTORS		PROJECT:	
Structural Steel & Miscellaneous Metals		SITE:	
1640 NewMarket Avenue South PlainField, New Jersey 070801641 Tel: (732) 968-6061 Fax: (732) 968-5675		CLIENT:	
		TITLE: CRANE MATS A1	SCALE:
		ISSUED:	REVISION: /2\
		CHECKER: G.H.D	PROJECT No:
		DRAWN: V.R.	DRAWING No: 82