

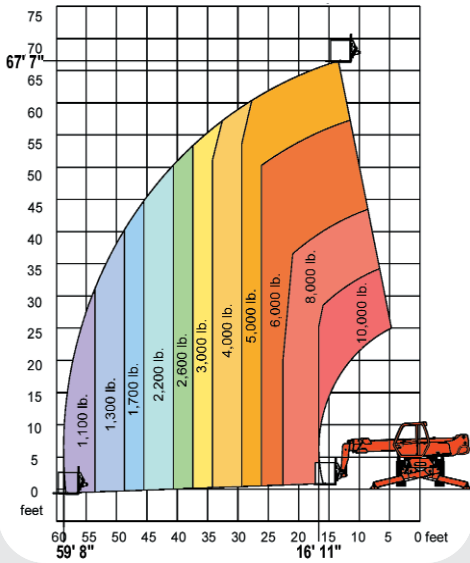
# MANISCOPIC **MRT 2150**



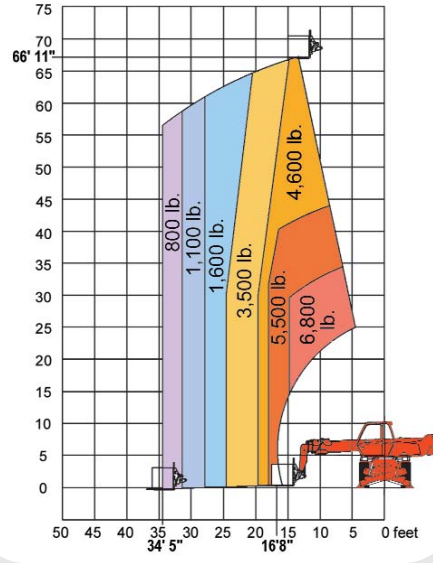
*New Cab  
Design*

- Lift Capacity: 10,000 lb.
- Maximum Lift Height: 67 ft. 7 in.
- Maximum Forward Reach: 59 ft. 8 in.
- Mercedes "Tier III" 150 HP Engine
- Hydrostatic Transmission
- Four Wheel Drive
- Continuous Rotation
- Three Steering Modes
- Frame Leveling

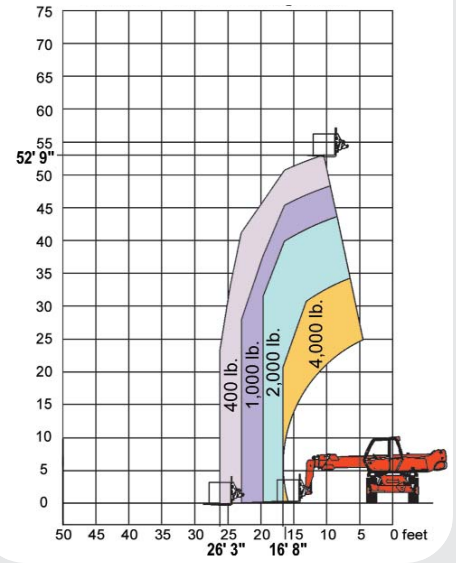
Rotation on Stabilizers with Forks



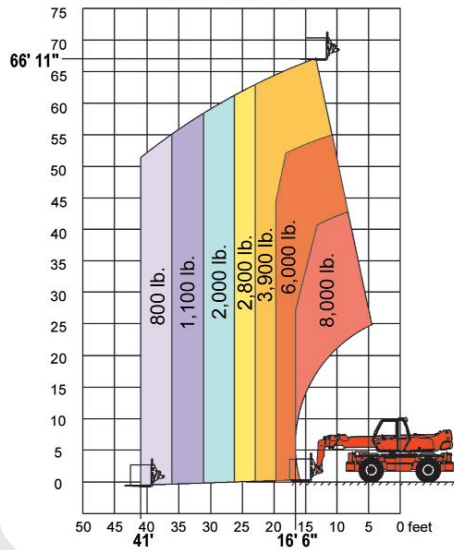
Rotation on Partial Stabilizers with Forks



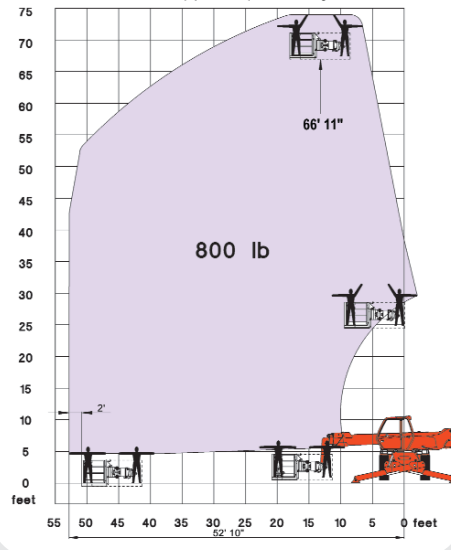
Rotation on Tires with Forks



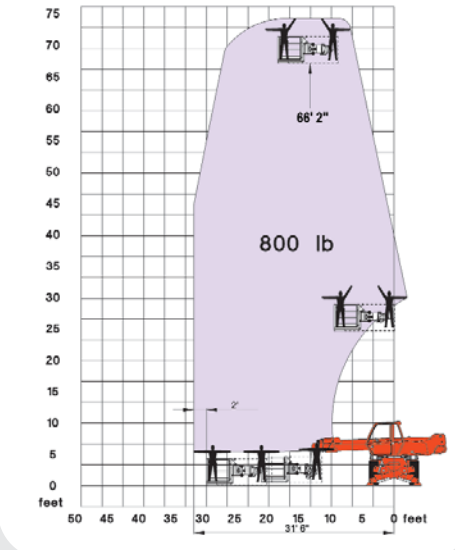
Frontal Position on Tires with Forks



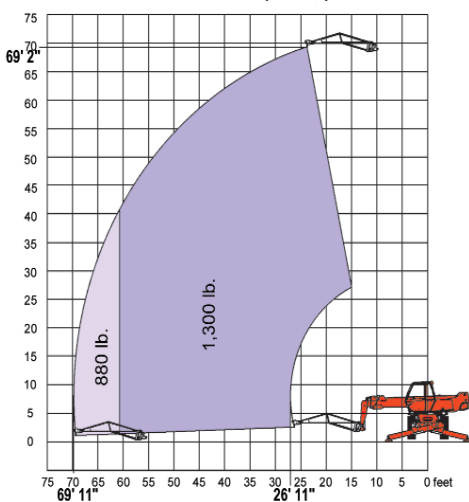
Rotation on Stabilizers with 800# Capacity Work Platform  
Max. Load - 800 lb. (3 persons inc.) - Max Work Height - 73' 6\"/>



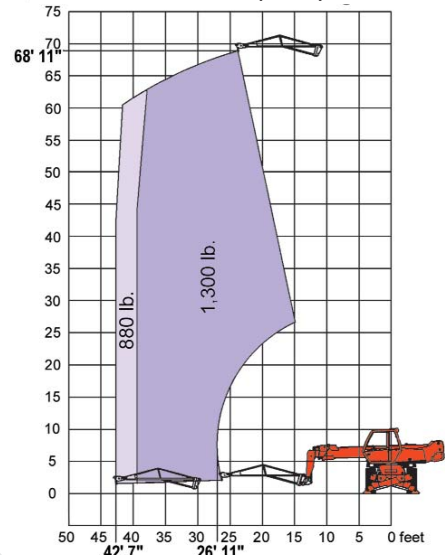
Rotation on Partial Stabilizers with 800# Capacity Work Platform  
Max. Load - 800 lb. (3 persons inc.) - Max Work Height - 72' 9\"/>



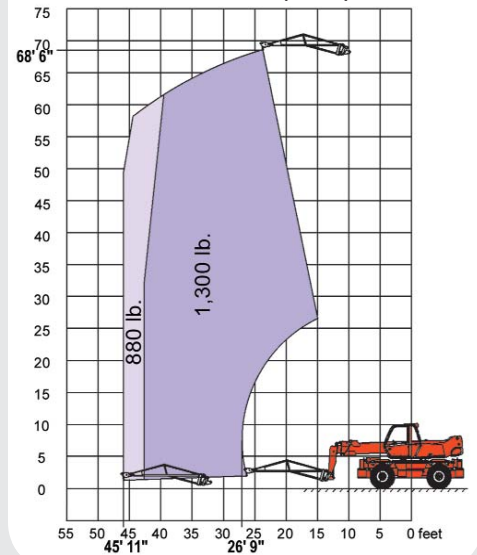
Frontal Position on Tires with 1300# Capacity Jib



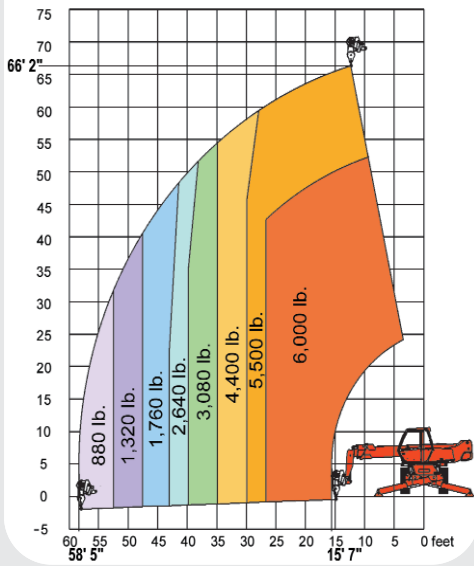
Rotation on Stabilizers with 1300# Capacity Jib



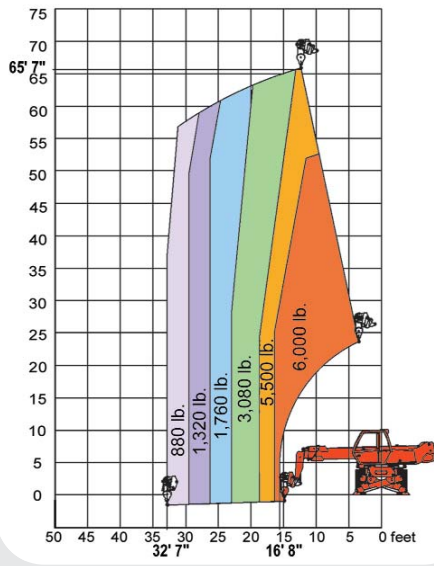
Rotation on Partial Stabilizers with 1300# Capacity Jib



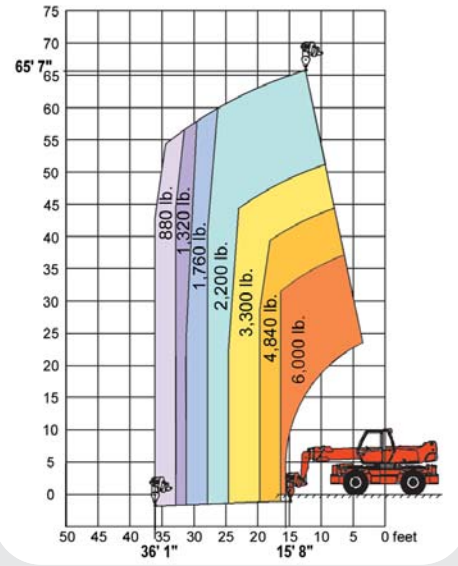
**Rotation on Stabilizers with 3 Ton Capacity Winch**



**Rotation on Partial Stabilizers with 3 Ton Capacity Winch**

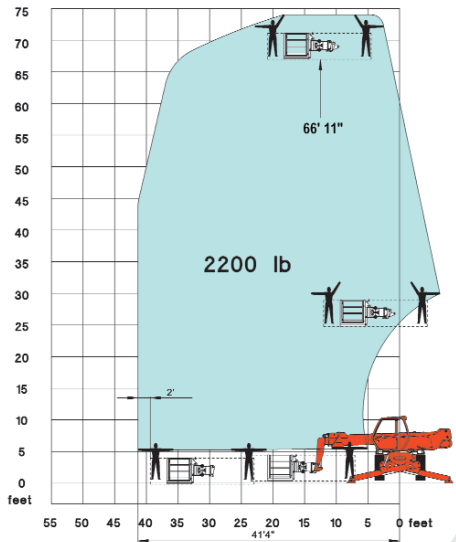


**Frontal Position on Tires with 3 Ton Capacity Winch**



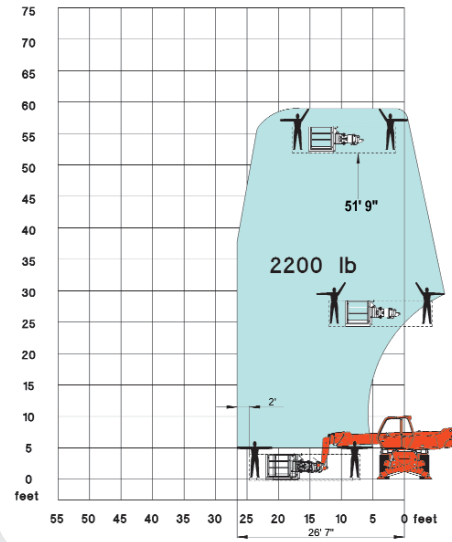
**Rotation on Stabilizers with 2200# Capacity Work Platform**

Max. Load - 2200 lb. (3 persons inc.) - Max Work Height - 73' 6"



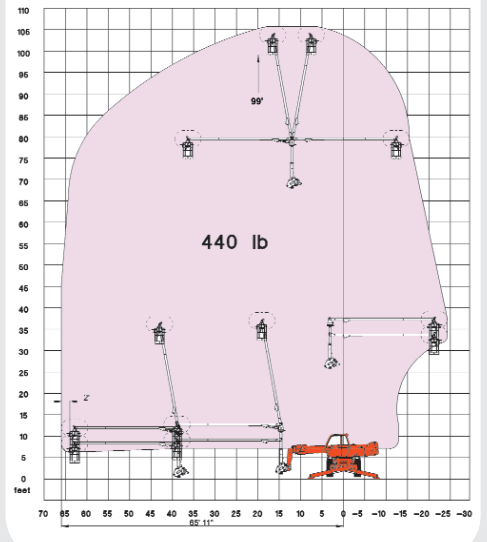
**Rotation on Partial Stabilizers with 2200# Capacity Work Platform**

Max. Load - 2200 lb. (3 persons inc.) - Max Work Height - 58' 5"



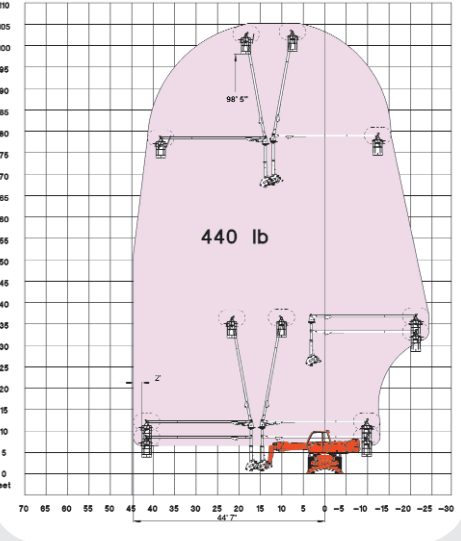
**Rotation on Stabilizers with Rotating Pendulum Basket**

Max. Load - 440 lb. (2 persons inc.) - Max Work Height - 105' 7" - Position A



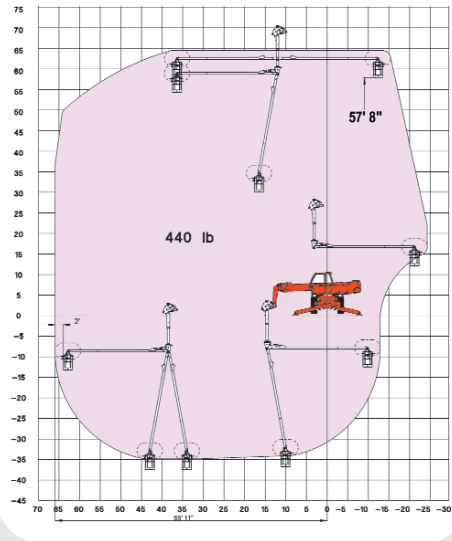
**Rotation on Partial Stabilizers with Rotating Pendulum Basket**

Max. Load - 440 lb. (2 persons inc.) - Max Work Height - 105' - Position A



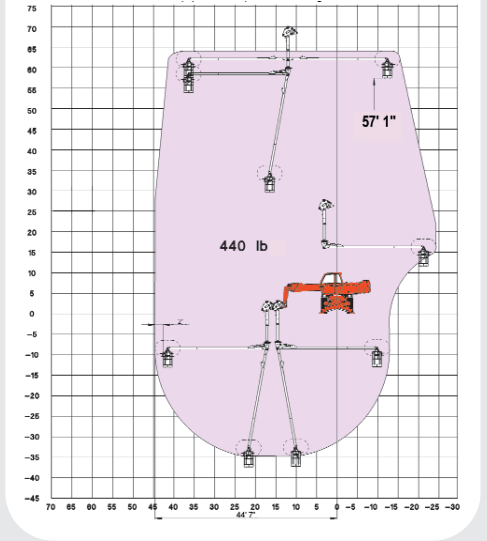
**Rotation on Stabilizers with Rotating Pendulum Basket**

Max. Load - 440 lb. (2 persons inc.) - Max Work Height - 64' 4" - Position B



**Rotation on Partial Stabilizers with Rotating Pendulum Basket**

Max. Load - 440 lb. (2 persons inc.) - Max Work Height - 63' 7" - Position B



# MRT 2150P



## Lift Capacity:

Max. (24" load center - on stabilizers)...10,000 lb.



## Lift Height:

Maximum lift height.....67 ft. 7 in.

Maximum forward reach.....59 ft. 8 in.



## Tires:

.....18 x 22.5 16PR



## Brakes:

...Multidisc - hydraulically assisted on four wheels  
Negative parking brake



## Engine:

Type .....Mercedes OM 904 LA Turbo Diesel

Displacement .....4 cyl. 259 cu. in.

Power .....150 HP / 110 kw

Maximum Torque ..... 428 ft.lb. at 1400 rpm

Injection .....Direct

Cooling .....Water



## Transmission:

Type .....Hydrostatic

Electro-hydraulic reversing shift

Speeds forward/reverse .....2/2

Maximum travel speed .....22 mph



## Axles:

Frame leveling on front axle .....+/- 8°

Automatic rear axle locking system on 15° rotation



## Stabilizers:

....Four simultaneous or individually controlled



**Rotation:**.....Continuous

Turret mounted on a planetary rotation

gearbox with internal gear

Hydraulic and electric rotation



## Hydraulics:

Three pumps .....Gear type

Flow .....3900 PSI - 42 gpm

Flow divider with priority to steering and braking



## Controls:

Two hydraulic proportional control joysticks for all hydraulic movements



## Capacities:

Cooling system .....4 gal.

Engine oil.....3 gal.

Hydraulic oil.....53 gal.

Fuel tank.....60 gal.



## Specifications:

Weight .....36,700 lb.

Turning radius (outside wheels).....14 ft. 9 in.

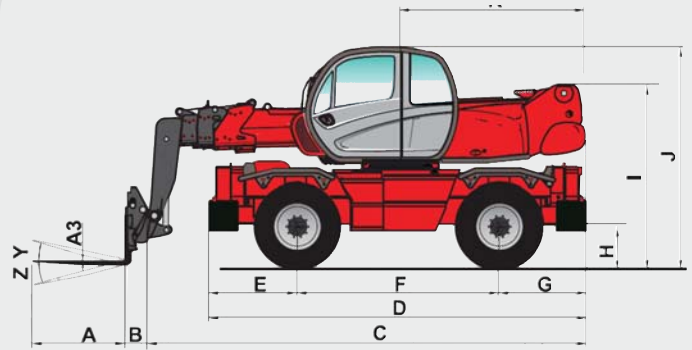
Overall height .....10 ft.

Overall width .....8 ft.

Overall length (without forks) .....22 ft. 2 in.

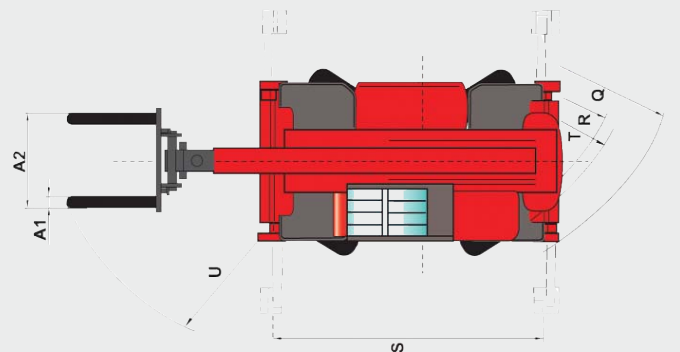
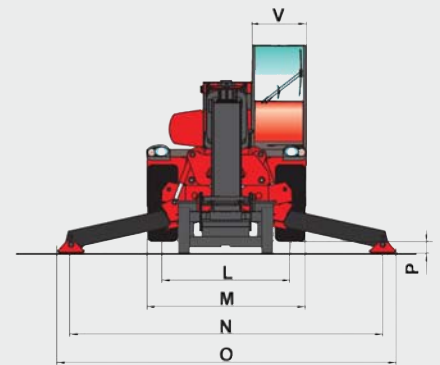
Ground clearance .....15 in.

Maximum drawbar pull.....18,450 lbf.



## DIMENSIONS:

|            |            |
|------------|------------|
| A.....48   | K.....98   |
| A1.....4   | L.....76   |
| A2.....52  | M.....96   |
| A3...2.25  | N.....185  |
| B.....11   | O.....201  |
| C.....255  | P.....8    |
| D.....199  | Q.....177  |
| E.....45   | R.....150  |
| F.....109  | S.....179  |
| G.....45   | V.....37   |
| H.....14.5 | Y.....12°  |
| I.....95   | Z.....105° |
| J.....119  |            |



## STANDARD EQUIPMENT:

- Enclosed Cab
- Hydraulic Power Steering
- Three Steering Modes
- Full Time 4 Wheel Drive
- Limited Slip Front Axle
- Outer Planetary Hubs
- Adjustable Seat
- Full Instrumentation
- Load Moment Indicator
- Road Lights
- Horn
- Rotating Beacon
- Backup Alarm
- InboardWet Disc Brakes
- Negative Parking Brake
- Quick Fit Tool System
- Automatic Attachment Leveling
- Auxiliary Boom Hydraulics
- Left & Right Side Mirrors
- Neutral Start Switch
- Tow Pin

## OPTIONAL EQUIPMENT:

- A wide variety of attachments and options are available to meet the customer's individual applications

Dealer:



MANITOU NORTH AMERICA, INC. - P.O. Box 21386 - Waco, TX 76702-1386  
Tel: 800-433-3304 - Fax: 254-799-4433 - www.manitou-na.com