

# MANISCOPIC

# MHT 10210



- **Lift Capacity: 46,000 lb.**
- **Maximum Lift Height: 31 ft. 9 in.**
- **Maximum Forward Reach: 19 ft.**
- **Mercedes 175 HP Engine**
- **Hydrostatic Transmission**
- **Four Wheel Drive**
- **Three Steering Modes**
- **Frame Leveling**

# MHT 10210



## Lift Capacity:

Maximum (36" load center).....46,000 lb.



## Lift Height:

Maximum lift height.....31 ft. 9 in.

Maximum forward reach .....19 ft.



## Tires:

.....23.5 R 25



## Brakes:

Inboard Multidisc - front and rear axles

Negative parking brake



## Engine:

Type.....Mercedes OM 904 LA Turbo Diesel

Power .....175 HP

Displacement .....4 cyl. 259 cu. in.

Maximum Torque ..... 498 ft.lb. at 1400 rpm

Injection .....Direct

Cooling .....Water



## Transmission:

Type .....Hydrostatic

Electro-hydraulic reversing shift

Speeds forward/reverse .....2/2

Maximum travel speed .....16 mph



## Hydraulics:

Two electronically regulated variable displacement piston pumps

Flow .....5000 PSI - 45 gpm

Flow divider with priority to steering and braking



## Capacities:

Cooling system.....4.5 gal.

Engine oil .....4 gal.

Hydraulic oil.....77 gal.

Fuel tank.....53 gal.



## Specifications:

Weight .....59,282 lb.

Turning radius (outside wheels)....19 ft. 10 in.

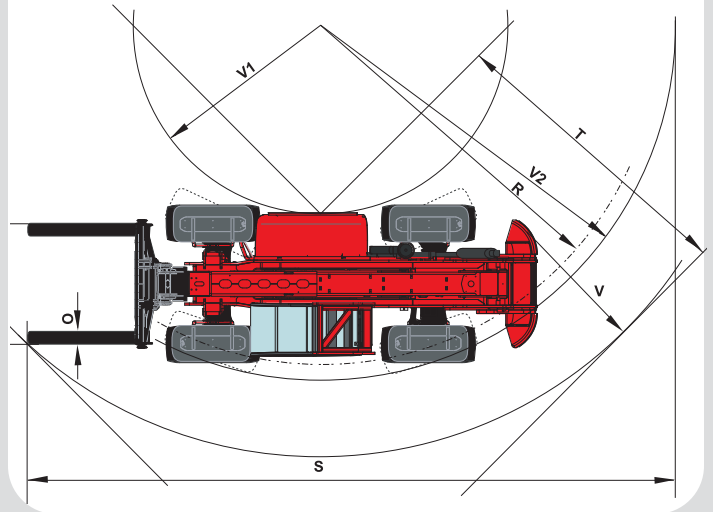
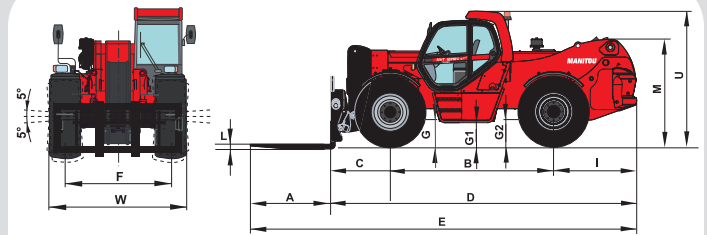
Overall height.....9 ft. 9 in.

Overall width .....8 ft. 9 in.

Overall length (without forks) .....22 ft. 6 in.

Ground clearance .....19 in.

Maximum drawbar pull.....39,116 lbf.



### DIMENSIONS:

A.....72	M .....7'8"
B.....144	O .....8
C.....53	R .....18'10"
D.....22'6"	S .....44'11"
E .....28'5"	T .....16'6"
F.....81	U.....9'9"
G.....20	V .....22'4"
G <sub>1</sub> .....19	V <sub>1</sub> .....10'4"
G <sub>2</sub> .....20	V <sub>2</sub> .....19'10"
I .....73	W .....8'9"
L.....4	Y .....12°
	Z.....105°

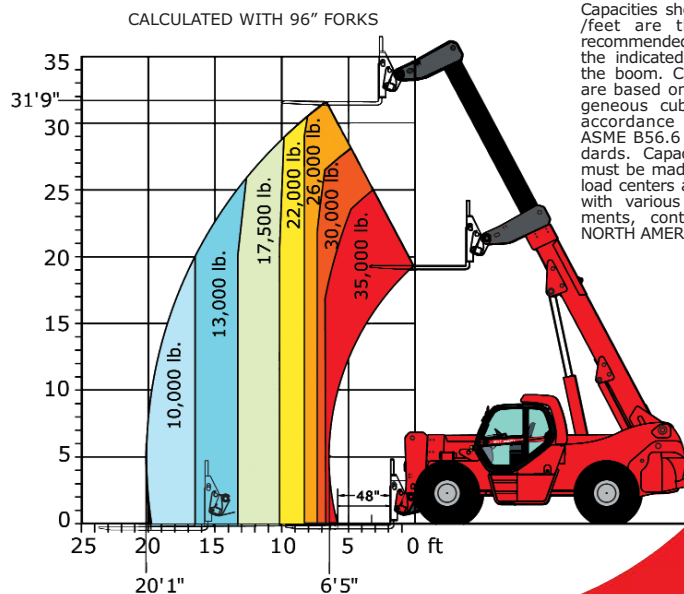
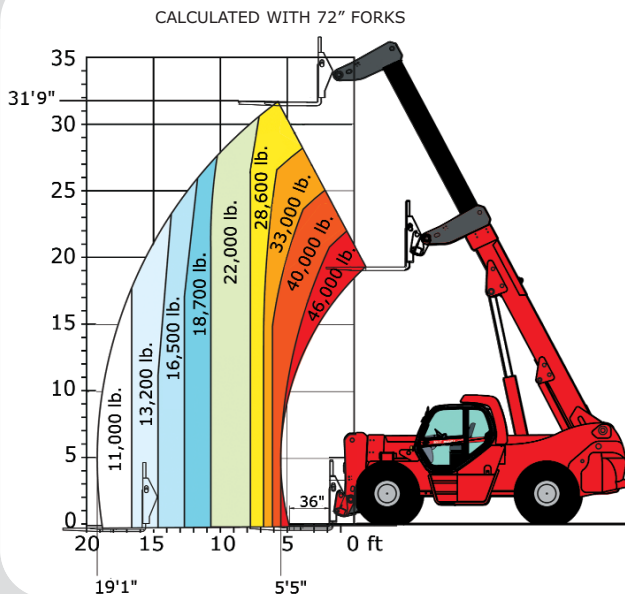
### STANDARD EQUIPMENT:

- Enclosed Cab with Heat and Air
- Hydraulic Power Steering
- Three Steering Modes
- Full Time 4 Wheel Drive
- Outer Planetary Hubs
- Adjustable Seat
- Full Instrumentation
- Hydraulic Holding Valves
- Road Lights
- Front & Rear Cab Worklights
- Horn
- Rotating Beacon
- Backup Alarm
- InboardWet Disc Brakes
- Negative Parking Brake
- Quick Fit Tool System
- Automatic Attachment Leveling
- Auxiliary Boom Hydraulics
- Left & Right Side Mirrors
- Neutral Start Switch
- Tow Pin

### OPTIONAL EQUIPMENT:

- A wide variety of attachments and options are available to meet the customer's individual applications

## LOAD CAPACITY CHART



Capacities shown in pounds/feet are the maximum recommended load limits at the indicated extensions of the boom. Capacity ratings are based on a 72" homogeneous cube and are in accordance with ANSI/ASME B56.6 stability standards. Capacity reductions must be made for extended load centers and when used with various other attachments, contact MANITOU NORTH AMERICA, INC.

Dealer:



MANITOU NORTH AMERICA, INC. - P.O. Box 21386 - Waco, TX 76702-1386  
Tel: 800-433-3304 - Fax: 254-799-4433 - www.us.manitou.com