

Load Rating Chart

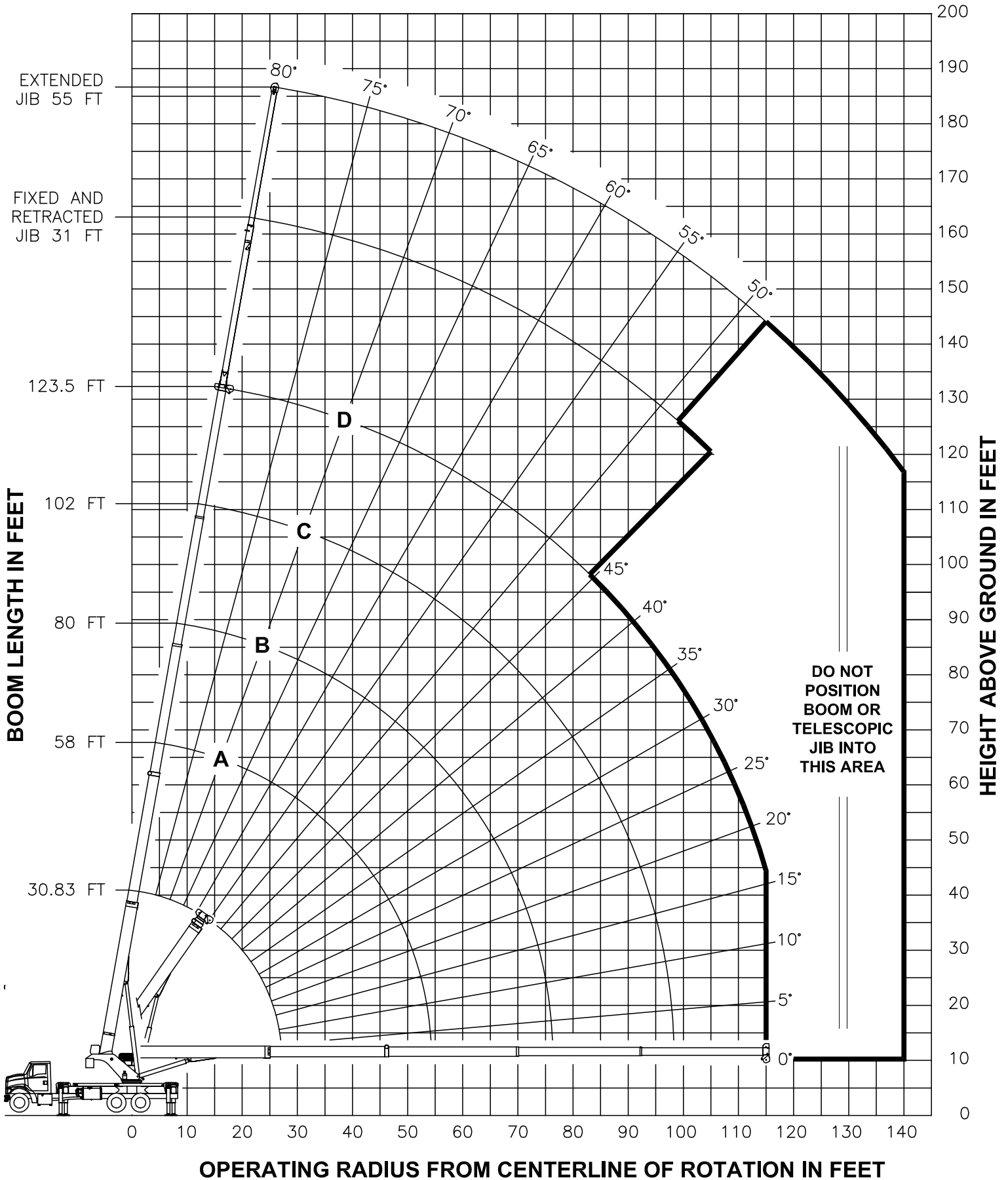
Model 40124SHL



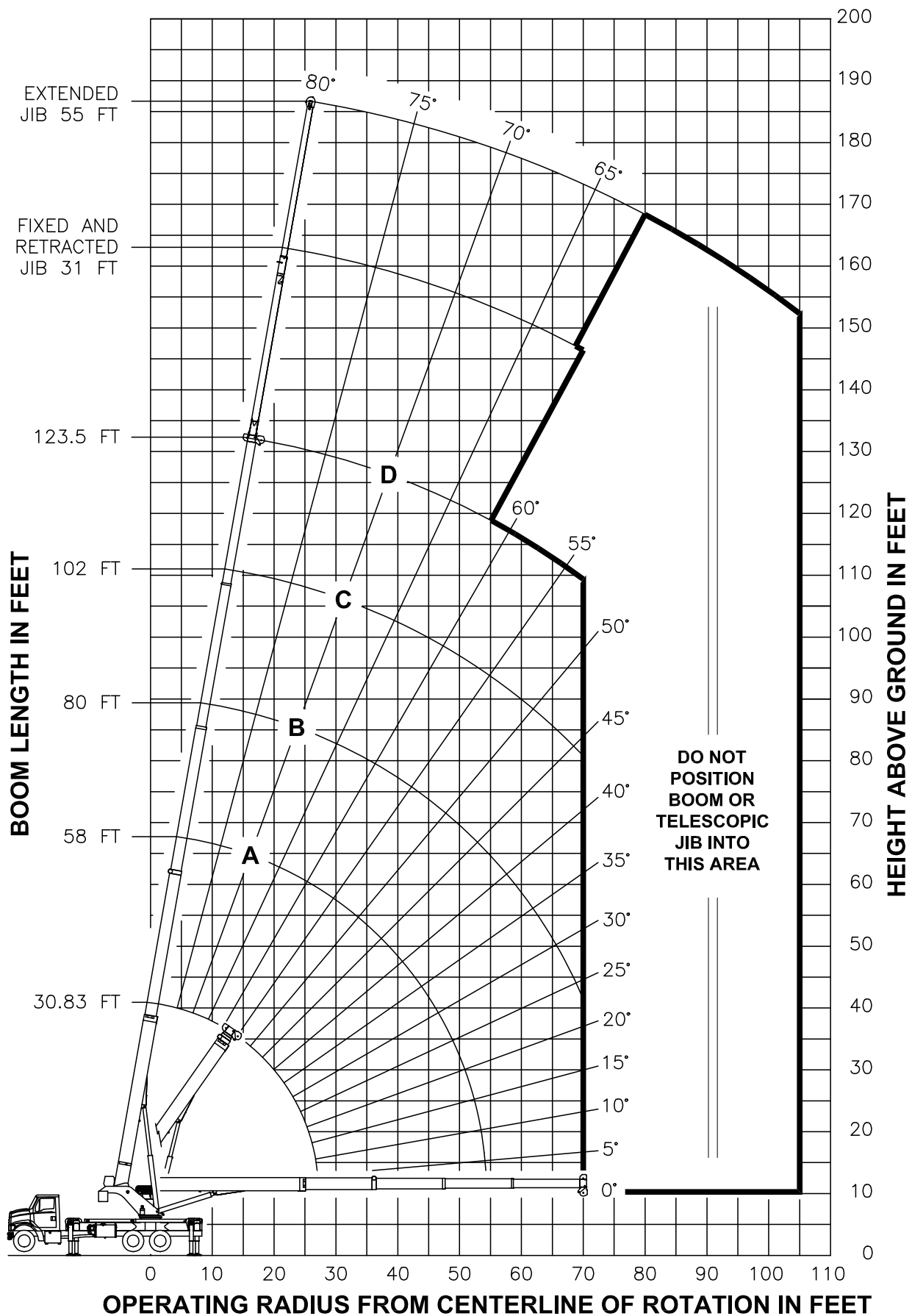
© Manitex 2000

NOTE: Additional copies of this Load Rating Chart can be purchased from your Manitex Distributor. When ordering, use the part number shown in the bottom left corner of this page.

RANGE DIAGRAM - FULLY EXTENDED OUTRIGGER CONFIGURATION -

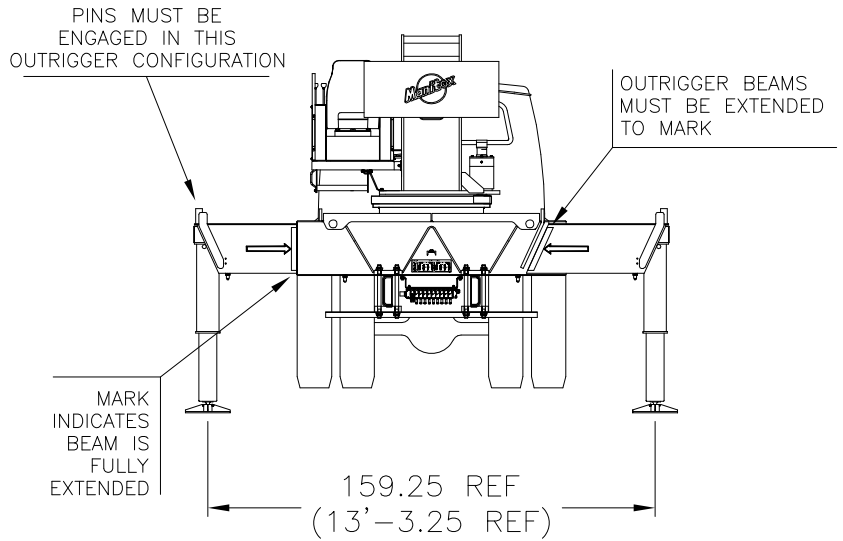


RANGE DIAGRAM - INTERMEDIATE OUTRIGGER CONFIGURATION -



NOTE : LIFTING PERSONNEL WITH CRANE IN THIS OUTRIGGER CONFIGURATION IS STRICTLY PROHIBITED. USE ONLY FULLY EXTENDED OUTRIGGER CONFIGURATION WHEN LIFTING PERSONNEL.

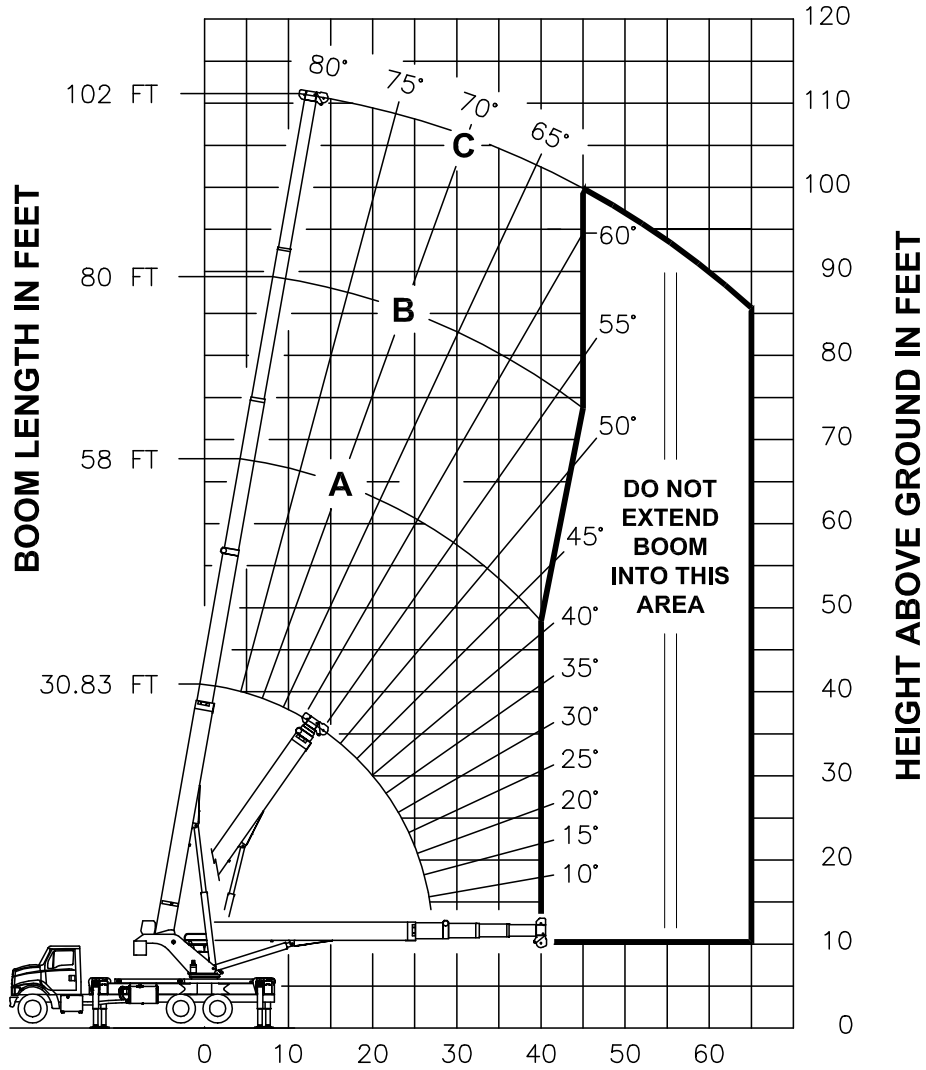
**USE THIS CHART ONLY
WHEN ALL
OUTRIGGERS ARE IN
THE INTERMEDIATE
POSITION**



- INTERMEDIATE OUTRIGGER CONFIGURATION -

LOAD RATINGS IN LBS WITH ALL OUTRIGGERS FULLY EXTENDED LMI CODE #9								JIB LOAD RATINGS IN LBS WITH ALL OUTRIGGERS FULLY EXTENDED									
OPERATING RADIUS FT	LOADED BOOM ANGLE		BOOM LENGTH AND MARKER						FIXED JIB		TELESCOPIC JIB						
					A		B		C		LMI CODE #10		LMI CODE #11		LMI CODE #12		
	/°	30.83 FT	/°	58 FT	/°	80 FT	/°	102 FT	/°	123.5 FT	BOOM LOADED ANG	JIB LENGTH FOR ALL BOOM LENGTHS SEE WARNING NOTE 4	BOOM LOADED ANG	JIB LENGTH FOR ALL BOOM LENGTHS SEE WARNING NOTE 4	BOOM LOADED ANG	JIB LENGTH FOR ALL BOOM LENGTHS SEE WARNING NOTE 4	
5	75	80000															
8	69	60500															
10	64	52550															
12	60	46600	75	25000													
15	53	36000	73	25000	79	21500											
20	40	20410	67	21480	75	19700	80	14500									
25	22	13230	62	14290	71	14550	77	13500	80	8450							
30			56	10170	67	10420	74	10540	78	8150	30	80	4000	79.5	3300		
35			49	7490	63	7740	71	7860	75	7800	35	78	3850	77.5	3300	79.5	2450
40			42	5610	59	5860	68	5980	72	6040	40	76	3700	76	3300	78	2450
45			34	4220	54	4470	65	4580	70	4650	45	74	3550	74	3300	76.5	2450
50			23	3120	50	3390	61	3510	67	3570	50	72	3400	72	3300	75	2450
55					44	2540	58	2660	65	2720	55	70	3110	70.5	2490	73	2450
60					39	1840	54	1970	62	2030	60	68	2410	68.5	1790	71.5	2450
65					32	1260	50	1390	59	1450	65	66	1830	66.5	1210	70	1930
70					24	770	46	900	56	970	70	64	1340	64.5	720	68	1430
75											75	62	920			66	1010
80											80	60	560			64.5	640
		450 LBS	240 LBS	180 LBS	140 LBS	120 LBS					FIXED		DEDUCTIONS FOR STOWED JIB				
		840 LBS	450 LBS	330 LBS	260 LBS	210 LBS					TELESCOPIC						

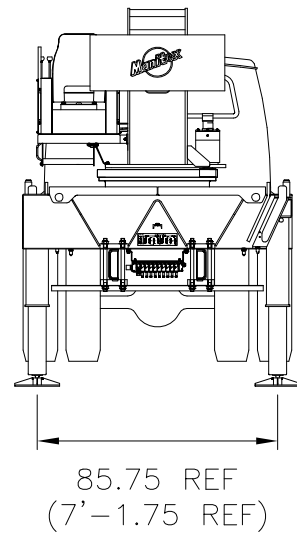
RANGE DIAGRAM - FULLY RETRACTED OUTRIGGER CONFIGURATION -



OPERATING RADIUS FROM CENTERLINE OF ROTATION IN FEET

NOTE : LIFTING PERSONNEL WITH CRANE IN THIS OUTRIGGER CONFIGURATION IS STRICTLY PROHIBITED. USE ONLY FULLY EXTENDED OUTRIGGER CONFIGURATION WHEN LIFTING PERSONNEL.

**USE THIS CHART
ONLY WHEN ALL
OUTRIGGERS ARE
FULLY RETRACTED**



- FULLY RETRACTED OUTRIGGER CONFIGURATION -

LOAD RATINGS IN LBS WITH ALL OUTRIGGERS FULLY RETRACTED LMI CODE #13								
OPERATING RADIUS IN FT	LOADED BOOM ANGLE	BOOM LENGTH AND MARKER						
			A		B		C	
			∠	30.83 FT	∠	58 FT	∠	80 FT
5	75	80000						
8	69	45710						
10	64	29790						
12	60	21410	75	22420				
15	53	14330	73	15250	79	15500		
20	40	8240	67	9110	75	9340	80	9460
25	22	4930	62	5830	71	6050	77	6160
30			56	3790	67	4000	74	4110
35			49	2390	63	2610	71	2710
40			42	1370	59	1590	68	1690
45					54	820	65	920
			450 LBS		240 LBS		180 LBS	
			840 LBS		450 LBS		330 LBS	
							140 LBS	
							260 LBS	
							FIXED	
							TELESCOPIC	
							DEDUCTIONS FOR STOWED JIB	

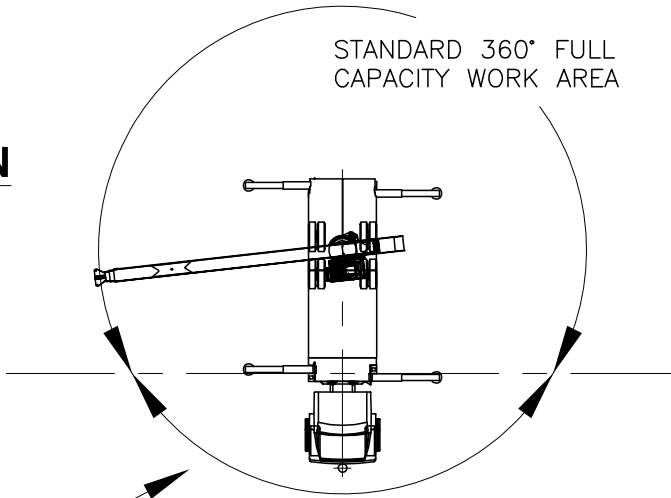
**NO JIBS ARE TO BE
ERECTED IN THIS
OUTRIGGER
CONFIGURATION**

ALLOWABLE LINE PULL								WARNING
1 PART LINE	2 PART LINE	3 PART LINE	4 PART LINE	5 PART LINE	6 PART LINE	7 PART LINE	8 PART LINE	
								ANTI-TWO-BLOCK SYSTEM MUST BE IN GOOD OPERATING CONDITION BEFORE OPERATING CRANE. REFER TO THE OWNER'S MANUAL. KEEP AT LEAST 3 WRAPS OF LOAD LINE ON THE DRUM AT ALL TIMES.
9500 LBS	19000 LBS	28500 LBS	38000 LBS	47500 LBS	57000 LBS	66500 LBS	76000 LBS	5/8" ROT RESISTANT (5.0:1 SF) - 47500 LBS MIN BREAKING STRENGTH
10000 LBS	20000 LBS	30000 LBS	40000 LBS	50000 LBS	60000 LBS	70000 LBS	80000 LBS	5/8" 6 X 25 IWRC (3.5:1 SF) - 35000 LBS MIN BREAKING STRENGTH

AREA OF OPERATION

WARNING:

THE MACHINE MUST BE LEVEL AND THE FRONT BUMPER STABILIZER MUST BE SET WHEN OPERATING IN THIS AREA.



DEDUCTIONS FROM RATED LOADS FOR LOAD HANDLING DEVICES SUPPLIED BY MANITEX

- AUXILIARY BLOCK ----- 50 LBS
- OVERHAUL BALL ----- SEE OVERHAUL BALL MFRG. NAMEPLATE
- LOAD BLOCK ----- SEE LOADBLOCK MFRG. NAMEPLATE
- HOSE REEL ----- 260 LBS
- SWING AROUND JIBS (STOWED) ----- SEE LOAD CHART

LMI OPERATING CODES

SETTING	CRANE CONFIGURATION	OUTRIGGER CONFIGURATION
#1	— MAIN BOOM	FULLY EXTENDED
#2	— FIXED JIB	FULLY EXTENDED
#3	— TELESCOPIC JIB—RETRACTED	FULLY EXTENDED
#4	— TELESCOPIC JIB—EXTENDED	FULLY EXTENDED
#5	— PERSONNEL LIFTING PLATFORM ON MAIN BOOM	FULLY EXTENDED
#6	— PERSONNEL LIFTING PLATFORM ON FIXED JIB	FULLY EXTENDED
#7	— PERSONNEL LIFTING PLATFORM ON TELESCOPIC JIB—RETRACTED	FULLY EXTENDED
#8	— PERSONNEL LIFTING PLATFORM ON TELESCOPIC JIB—EXTENDED	FULLY EXTENDED
#9	— MAIN BOOM	INTERMEDIATE
#10	— FIXED JIB	INTERMEDIATE
#11	— TELESCOPIC JIB—RETRACTED	INTERMEDIATE
#12	— TELESCOPIC JIB—EXTENDED	INTERMEDIATE
#13	— MAIN BOOM	FULLY RETRACTED

WARNING

1. THE OPERATOR MUST READ AND UNDERSTAND THE OWNER'S MANUAL BEFORE OPERATING THIS CRANE.
2. POSITIONING OR OPERATION OF CRANE BEYOND AREAS SHOWN ON THIS CHART IS NOT INTENDED OR APPROVED EXCEPT WHERE SPECIFIED IN OWNER'S MANUAL.
3. LOADED BOOM ANGLES AT SPECIFIED BOOM LENGTHS GIVE ONLY AN APPROXIMATION OF THE OPERATING RADIUS. THE BOOM ANGLE BEFORE LOADING SHOULD BE GREATER TO ACCOUNT FOR DEFLECTIONS. DO NOT EXCEED THE OPERATING RADIUS FOR RATED LOADS.
4. THE OPERATING RADIUS SHOWN IN THE JIB RATING CHART IS FOR FULLY EXTENDED BOOM ONLY. WHEN BOOM IS NOT FULLY EXTENDED, USE ONLY LOADED BOOM ANGLE TO DETERMINE LOAD RATING OF JIB.
5. FOR BOOM ANGLES NOT SHOWN ON JIB LOAD RATING CHART, USE RATING OF NEXT LOWER BOOM ANGLE.
6. FOR BOOM LENGTHS NOT SHOWN, USE RATING OF NEXT SHORTER OR LONGER BOOM LENGTH, WHICHEVER IS LESS. FOR RADII NOT SHOWN, USE RATING OF NEXT LONGER RADIUS.
7. CRANE LOAD RATINGS ON OUTRIGGERS ARE BASED ON FREELY SUSPENDED LOADS WITH THE MACHINE LEVELED AND STANDING ON A FIRM UNIFORM SUPPORTING SURFACE. NO ATTEMPT SHALL BE MADE TO MOVE A LOAD HORIZONTALLY ON THE GROUND IN ANY DIRECTION.

WARNING (CONTINUED)

8. PRACTICAL WORKING LOADS DEPEND ON SUPPORTING SURFACE, WIND, AND OTHER FACTORS AFFECTING STABILITY SUCH AS HAZARDOUS SURROUNDINGS, EXPERIENCE OF PERSONNEL, AND PROPER HANDLING, ALL OF WHICH MUST BE TAKEN INTO ACCOUNT BY THE OPERATOR.
9. THE MAXIMUM LOAD WHICH MAY BE TELESCOPED IS LIMITED BY HYDRAULIC PRESSURE, BOOM ANGLE, AND BOOM LUBRICATION. IT IS SAFE TO ATTEMPT TO TELESCOPE ANY LOAD WITHIN THE LIMITS OF THE LOAD RATING CHART.
10. LIFTING OFF THE MAIN BOOM POINT WHILE THE SWING AROUND JIB IS ERECTED IS NOT INTENDED OR APPROVED.

INFORMATION

1. DEDUCTIONS MUST BE MADE FROM RATED LOADS FOR STOWED JIB, OPTIONAL ATTACHMENTS, HOOKS, AND LOAD BLOCKS (SEE DEDUCTION CHART). WEIGHTS OF SLINGS AND ALL OTHER LOAD HANDLING DEVICES SHALL BE CONSIDERED A PART OF THE LOAD.
2. LOAD RATINGS ABOVE THE HEAVY LINE ARE STRUCTURALLY LIMITED CAPACITIES. LOAD RATINGS BELOW THE HEAVY LINE ARE STABILITY LIMITED CAPACITIES AND DO NOT EXCEED 85% OF TIPPING.

DEFINITIONS

1. OPERATING RADIUS IS THE HORIZONTAL DISTANCE FROM THE AXIS OF ROTATION TO THE CENTER OF THE VERTICAL HOIST LINE OR TACKLE WITH LOAD APPLIED.
2. LOADED BOOM ANGLE AS SHOWN IN THE COLUMN HEADED BY \angle , IS THE INCLUDED ANGLE BETWEEN THE HORIZONTAL AND LONGITUDINAL AXES OF THE BOOM BASE AFTER LIFTING RATED LOAD AT RATED RADIUS.